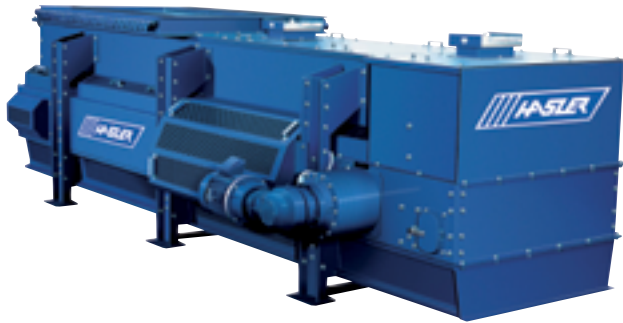


- Accuracy ± 1%
- Modular apron width or length
- Long lasting reference in our range of products
- Constant technical evolution
- Available in 5 widths and 4 lengths as a standard
- Easy maintenance



Extraction and weighing:  
Clay  
Clinker  
Limestone,  
etc.

**MAMMUTHUS**



- ✓ Entirely closed
- ✓ Double (or triple) chain traction
- ✓ Embedded digital weigh system
- ✓ Speed control system of the feeding movement
- ✓ Inspection doors to ease maintenance

**Function:**

The MAMMUTHUS is a device used both as a strong apron feeder and as a common weigh belt feeder.

The speed is controlled according to the material load in order to obtain a constant and accurate flowrate.

The load is measured by two digital load cells (integrated weighbridge) through the rails deflection.

An index flow sensor (one per lap) synchronises the segmented detaring of the empty apron.

A pulse generator integrated to the gear motor gives the speed of the conveyor. The MAMMUTHUS can extract difficult materials like clay, hot and abrasive products such as clinker and many other, in different industrial applications.



Limestone extraction

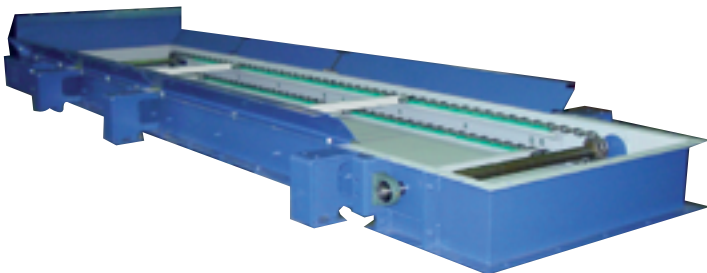


Weighbridge  
Digital load cell

**Options:**

**Spillage Conveyor:**

One or more cross scraper(s) driven by two side chains recover the particles that escaped from the weighfeeder and bring back to the common discharge.



**Other options:**

- Rod closing gates
- Analogic load cells

**Controller:**

The SCM2 controller directly receives the signals and informations from the sensors: weight, speed and index. It can calculate the flowrate totalization and speed control signal. Informations and alarms are reported on the SDU display.



SCM2-Panel

**SCM2 Field or Panel Version:**

See SCM2-F.260.001-E or SCM2-P.260.001-E



SDU

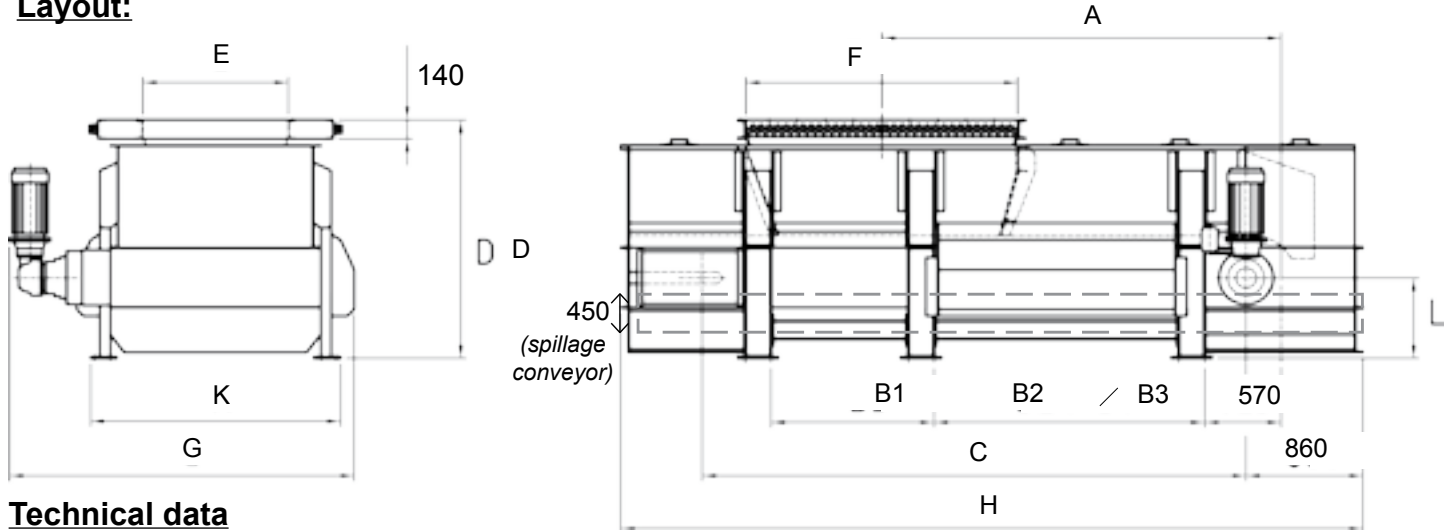


SCM2-Field

**Dimensions and weights**

TYPE	C c to c	F Inlet	A Inlet to outlet	B1	B2	B3	D	E	G	H	K	L	Weight Kg
800	3 000	1 000	2 450	2 210	-	-	1 730	670	2 220	4 480	1 440	680	5 000
	3 500	1 500	2 700	1 690	1 020	-				4 980			5 500
	4 000	2 000	2 950	1 690	1 520	-				5 480			6 000
1000	3 500	1 000	2 650	2 190	-	-	1 650	870	2 340	4 460	1 640	605	5 500
	4 000	2 000	3 150	1 670	1 520	-				5 460			6 000
	5 000	3 000	1 650	1 670	1 260	1 260				6 460			6 500
1200	3 500	1 000	2 820	2 190	-	-	1 790	1 070	2 540	4 460	1 840	605	6 000
	4 000	2 000	3 320	1 990	1 200	-				5 460			6 500
	5 000	3 000	3 820	1 990	1 100	1 100				6 460			7 000
1400	3 500	1 500	2 900	1 670	1 020	-	1 970	1 270	2 880	4 460	2 040	680	7 100
	4 000	2 000	3 150	1 670	1 520	-				5 460			7 800
	5 000	3 000	3 650	1 670	1 260	1 260				6 460			8 500
1600	3 500	1 500	2 900	1 670	1 020	-	1 970	1 470	3 080	4 460	2 240	680	8 300
	4 000	2 000	3 150	1 670	1 520	-				5 460			9 200
	5 000	3 000	3 650	1 670	1 260	1 260				6 460			10 100

**Layout:**



**Technical data**

Motor	AC
Protection class	IP55
Load cells	2 digital load cells
Weight maximum load	+ 1 000 kg
Installed power	from 1,5 kW to 30 kW
Gear unit	Planetary gear unit
Transmission	Direct on head drum
Working temperature range	-10°C to +60°C
Speed sensor	Digital Encoder
Girders and cover	Steel
Apron conveyor	Steel
Corrosion protection	Primer and finish coat
Color and coating	RAL 5000 bleu as a standard, 80 µm

**HASLER Group**

Headquarter  
Zi de l'abbaye  
38780 PONT-EVEQUE - France

Tel. +33 (0)4 74 16 11 50  
Fax +33 (0)4 74 16 11 55  
E-mail: sales.fr@hasler-gp.com

All our addresses on:

[www.hasler-int.com](http://www.hasler-int.com)