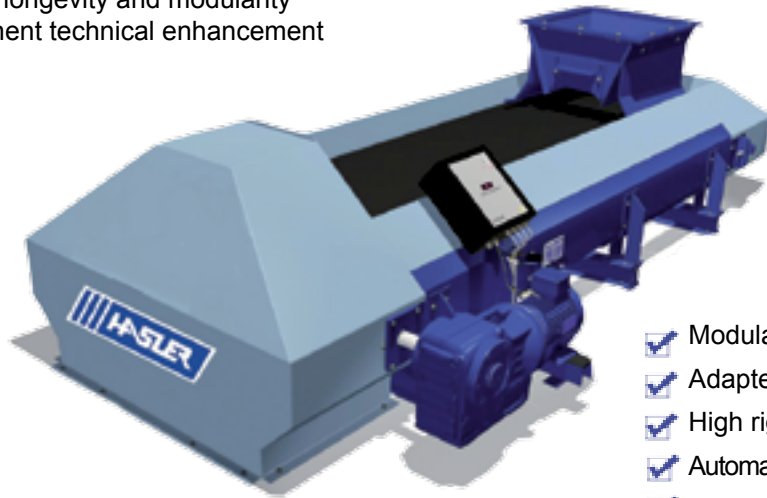


Accuracy: ± 0,25%  
Modular length and belt width  
Easy maintenance and commissioning  
Proven longevity and modularity  
Permanent technical enhancement



Cement  
Construction materials  
Gypsum - Plaster  
Steel  
Aluminium  
Fertilizer  
Mines  
Wood  
Tobacco  
etc.

**GRAVIT**



- ✓ Modular construction
- ✓ Adapted and smooth surfaces
- ✓ High rigidity thanks to folded side girders
- ✓ Automatic belt tension device by spring-loaded tensioning roller
- ✓ Auto-centring belt system
- ✓ Turn-down ratio : 1:20 / 1:10 / 1:100

**Function:**

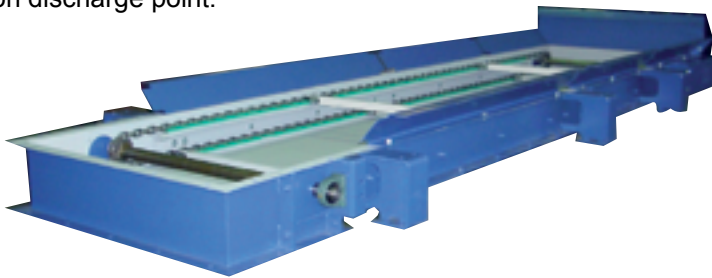
The material flows from the storage silo through the inlet onto the belt and is conveyed to the weigh bridge. Taking into account the distance between the weigh bridge and the discharge point, the flowrate is calculated according to the load at the discharge point and the belt speed.

The flow rate is kept constant by the SCM 2 controller modifying the belt speed according to the load and the setpoint applied.

**Options :**

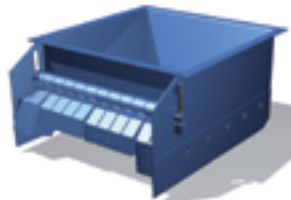
**Spillage Conveyor:**

One ore more scraper(s) driven by two chains recover the particles that escaped from the weighfeeder and convey it to the common discharge point.



**Hammer Gate :**

This gate limits the height of the extraction section while enabling the passage of oversized material lumps, the mobile elements (hammers) lifting then returning to their original position once the material lumps have gone through.



**Other options:**

- Inlets : Vibrating / elongated / rock-box
- Rod closing gates / cut-off gates
- Material cover
- High temperature resistant belt
- Digital load cell

**Controller:**

Weighfeeder signals and information, such as Weight, Speed, Belt tracking, Belt index are directly connected to the SCM controller. The SCM controller calculates the actual flowrate, totalizes the conveyed material and generates the control signal for the variable speed drive.

Detailed alarm informations are obtained via the display (SDU).

\* SCM2 Field or Panel version:  
see : SCM2F-260.001-E. or SCM2-P.260.001-E.b



**Dimensions and Flowrates**

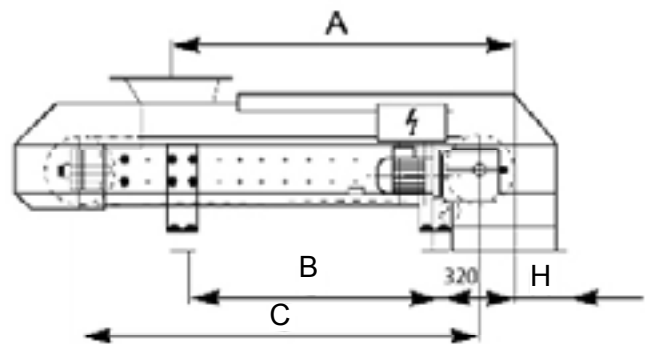
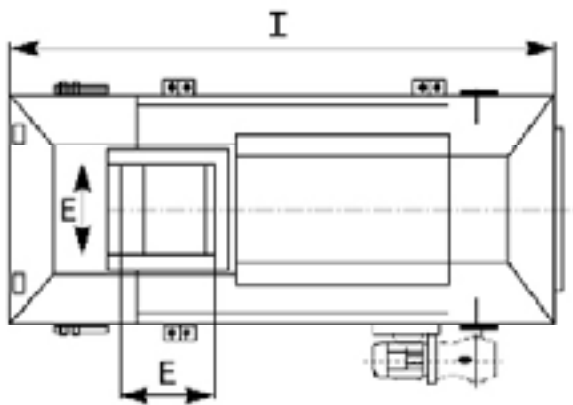
Type	Belt Width	I	E	A min	B min	H	C min	D	F	G	Weight (Kg)	Max. Flowrate t/h $\gamma = 1 \text{ t/m}^3$ $V_{\text{max}}^{**} = 0,5 \text{ m/s}$ In extraction
<b>GRAVIT 650</b>	650	C+700	400*	1200	700	229	1350	850	1140	~1350	665	40
<b>GRAVIT 800</b>	800	C+700	500*	1200	700	229	1350	850	1290	~1550	775	90
<b>GRAVIT 1000</b>	1000	C+900	600*	1500	1100	429	1750	900	1530	~1800	940	170
<b>GRAVIT 1200</b>	1200	C+900	800*	1500	1500	429	2150	1000	1730	~2030	1140	250
<b>GRAVIT 1400</b>	1400	C+900	1000	1600	1500	429	2150	1100	1930	~2230	1300	350

All dimensions in mm

\* : Length can be doubled in order to increase the extraction surface

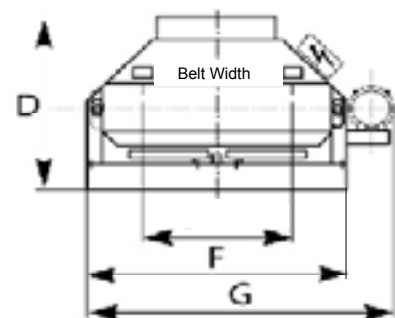
\*\* : Maximum speed for very free flowing materials.

**Layout**



**Technical data**

Motor	AC
Protection class	IP55
Rating	0,37 - 7,5 kw
Gear unit	Hollow shaft helical bevel gear
Transmission	Direct on head drum
Working temperature range	-10°C to +60°C
Speed sensor	Digital encoder
Girders and cover	Steel
Conveyor belt	Rubber: endless vulcanized
Corrosion protection	Primer, Finish coat
Color & Coating	RAL 5000 blue, 80 $\mu$ standard



**HASLER Group**

Headquarter  
Zi de l'abbaye  
38780 PONT-EVEQUE - France

Tel. +33 (0)4 74 16 11 50  
Fax +33 (0)4 74 16 11 55  
E-mail: sales.fr@hasler-gp.com

All our addresses on :

[www.hasler-int.com](http://www.hasler-int.com)